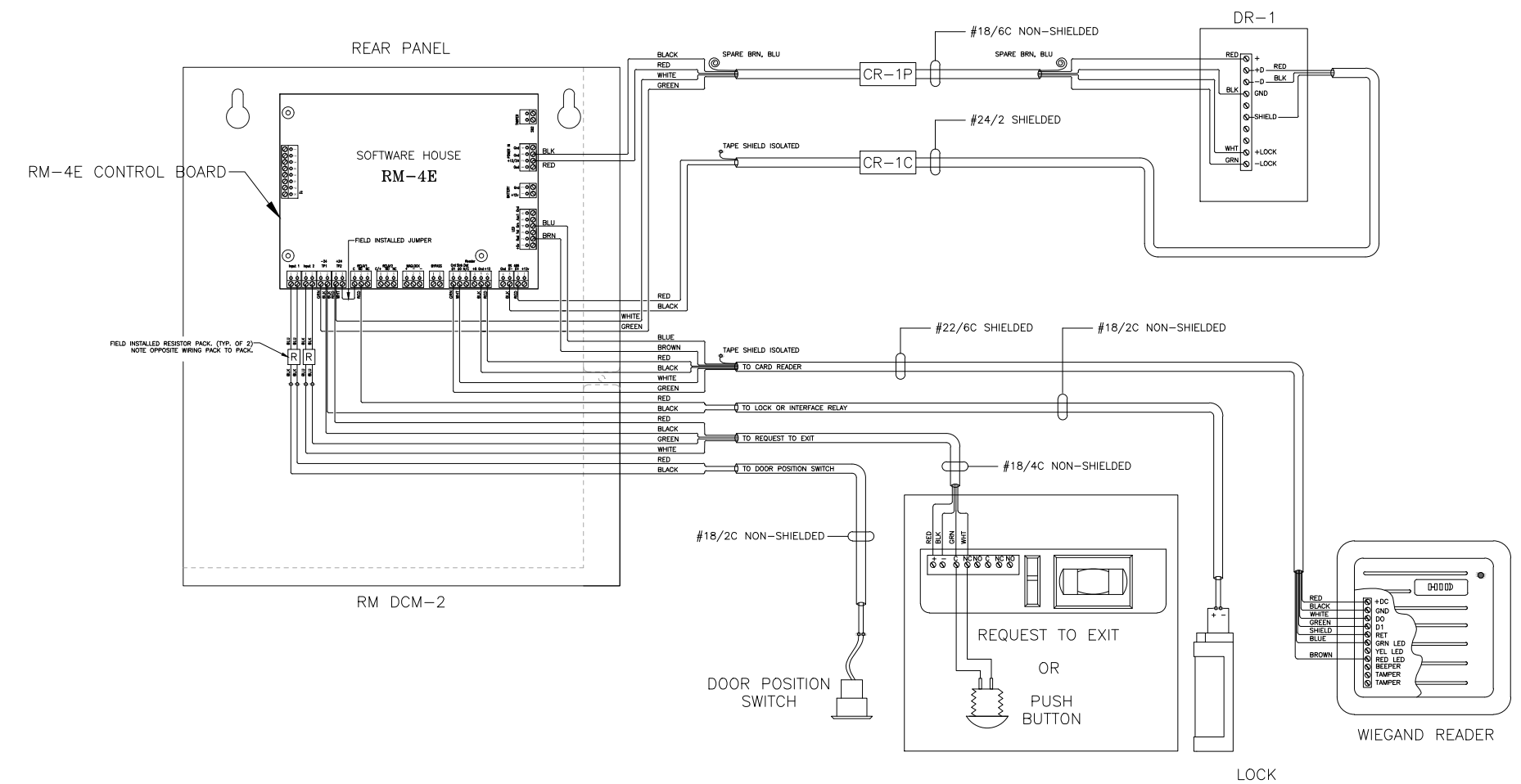
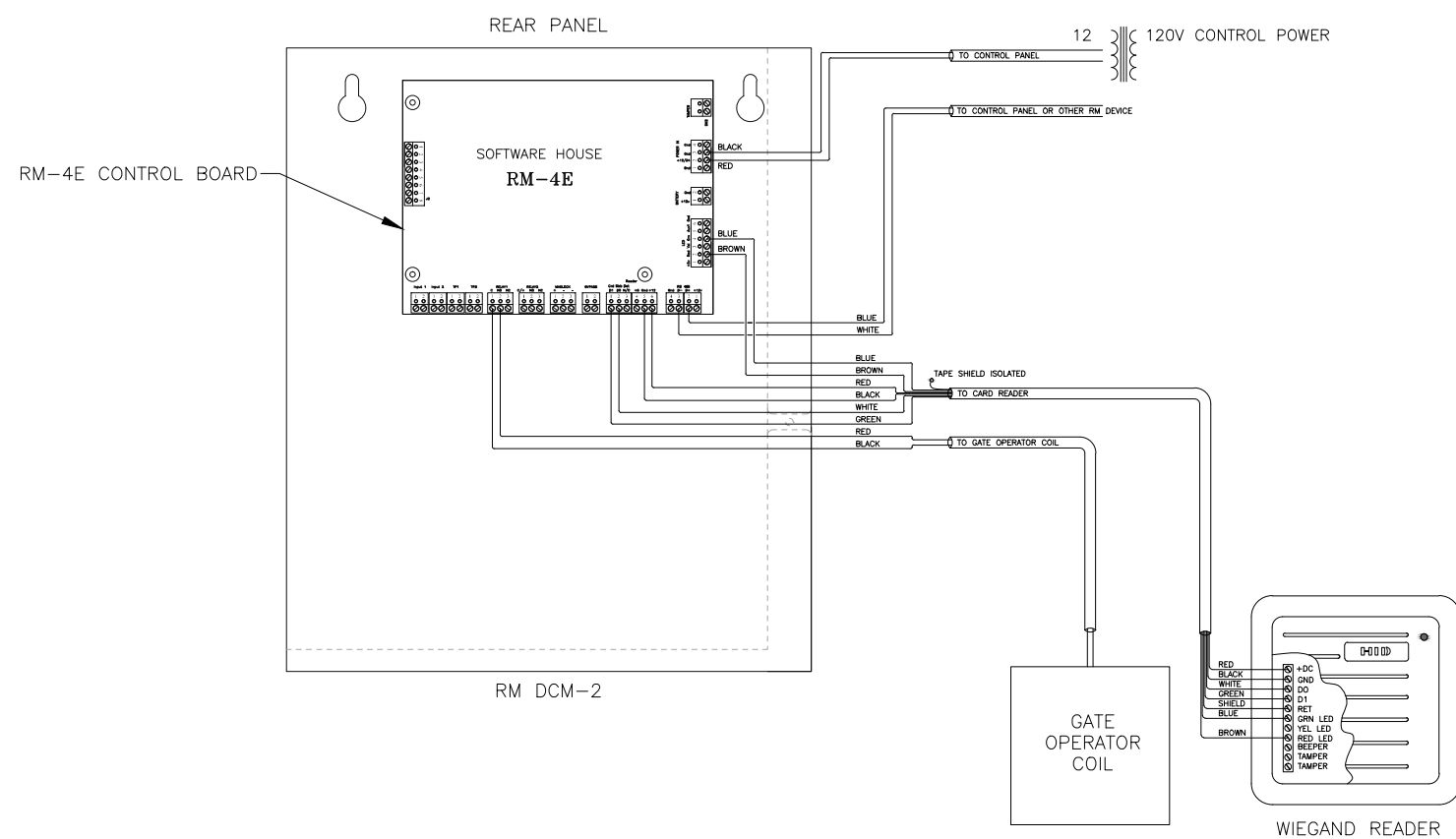


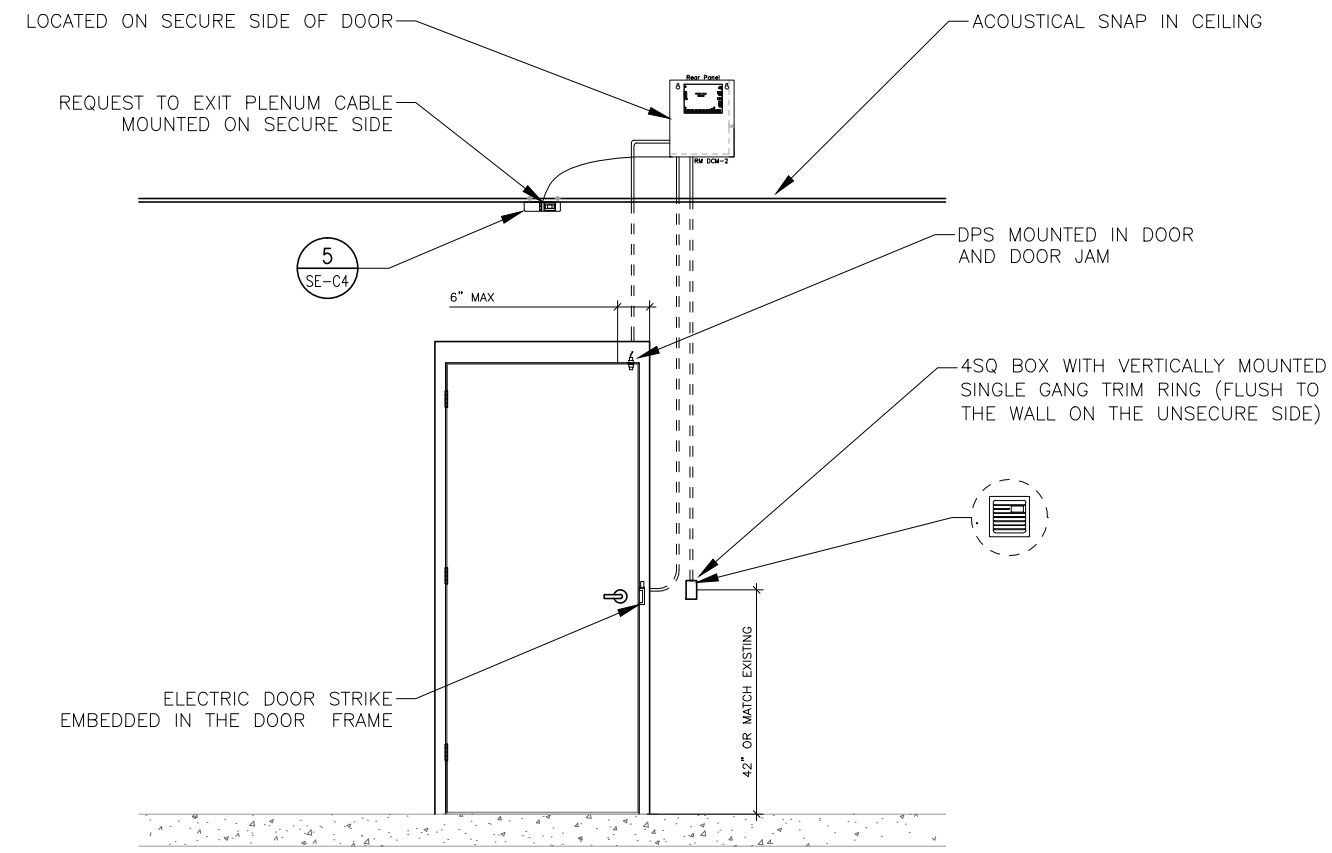
1 CARD ACCESS ONE-LINE
SE-C4 SCALE: NONE



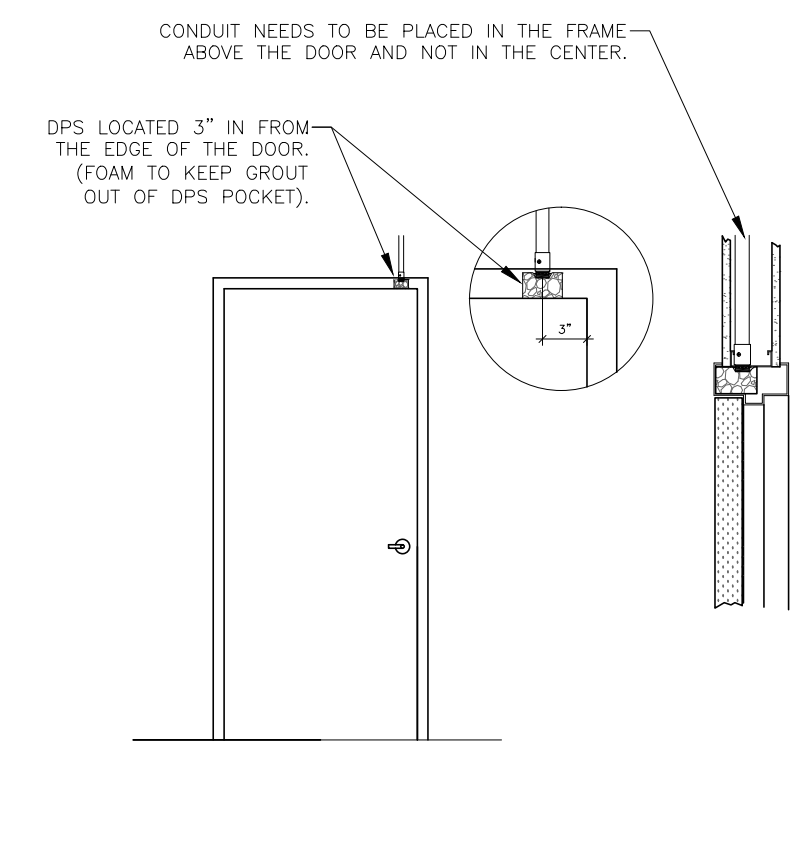
2 TYPICAL CARD ACCESS PANEL TERMINATION
SE-C4 SCALE: NONE (CR-1 SHOWN, CR-2 THRU CR-5 TYPICAL)



3 CARD ACCESS PANEL TERMINATION EXTERIOR GATE
SE-C4 SCALE: NONE



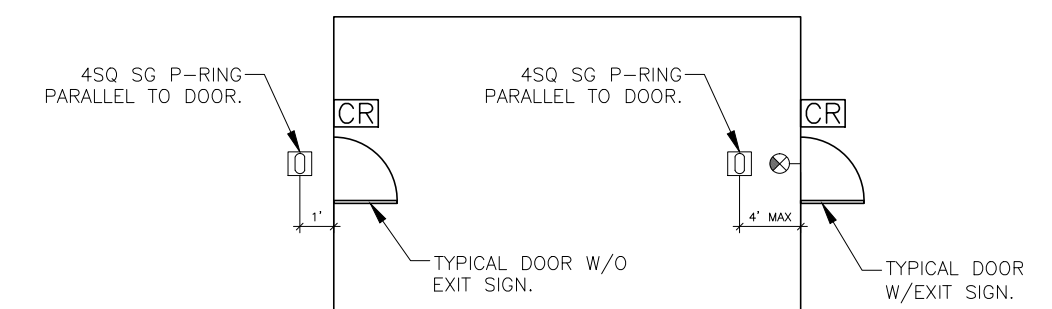
4 TYPICAL DOOR DETAIL
SE-C4 SCALE: NONE



5 DPS ROUGH-IN AND LOCATIONS NON-TYPICAL
SE-C4 SCALE: NONE

DEVICE TYPE	CR1 STAFF VESTIBULE X02	CR2 PHARMACY 401	INSTALLATION NOTES FOR ELECT CONTRACTOR	INSTALLATION NOTES FOR SE CONTRACTOR
RM-4E CONTROLLER	RM-1	RM-2	SE CONTRACTOR WILL PROVIDE THE RM-4 ENCLOSURE. IT NEEDS TO BE MOUNTED ON THE SECURE SIDE OF THE DOOR ABOVE THE NEAREST ACCESSIBLE CEILING.	CVE WILL PROVIDE AND INSTALL THE DEVICE AND COMPLETE TERMINATIONS.
HID CARD READER	CR-1	CR-2	CARD READER MOUNTS TO A 4 SQ WITH A SINGLE GANG P-RING. CARD READER CONDUIT NEEDS TO BE ROUTED TO THE RM-4 ENCLOSURE.	CVE WILL PROVIDE AND INSTALL THE DEVICE AND COMPLETE TERMINATIONS.
DS 160 REQUEST TO EXIT	X	X	REX MOUNTS ON THE CEILING TO A 4 SQ WITH A SINGLE GANG P-RING INSTALLED PARALLEL TO THE DOOR APPROXIMATELY 1' OUT FROM THE DOOR. IF THERE IS AN EXIT SIGN THE REX NEEDS TO BE INSTALLED IN FRONT OF THE SIGN TO ALLOW IT TO PICK UP MOTION WHEN A PERSON APPROACHES THE DOOR. REX CONDUIT NEEDS TO BE ROUTED TO THE RM-4 ENCLOSURE.	CVE WILL PROVIDE AND INSTALL THE DEVICE AND COMPLETE TERMINATIONS.
SENTROL 1078 DPS	X	X	IF THE DOOR IS NOT EQUIPPED WITH A DPS POCKET STUB CONDUIT INTO THE HEADER OF THE DOOR. IF THE DOOR IS BEING GROUTED, FOAM WILL NEED TO BE PLACED IN THE HEADER TO ALLOW FOR DPS TO BE INSTALLED. DPS IS LOCATED IN 3" FROM THE STRIKE EDGE OF THE DOOR. DPS CONDUIT NEEDS TO BE ROUTED TO THE RM-4 ENCLOSURE.	CVE WILL PROVIDE AND INSTALL THE DEVICE AND COMPLETE TERMINATIONS.
ELECTRIC LOCK STRIKE	X	X	ELECTRIC STRIKE CONDUIT NEEDS TO BE ROUTED TO THE RM-4 ENCLOSURE.	CVE WILL COMPLETE TERMINATIONS.

REX MOUNTS IN THE CEILING TO A 4SQ SG P-RING PARALLEL TO THE DOOR
REX NEEDS TO BE IN FRONT OF THE EXIT SIGN TO ALLOW IT TO SENSE MOTION.



6 REX ROUGH-IN AND LOCATIONS
SE-C4 SCALE: NONE